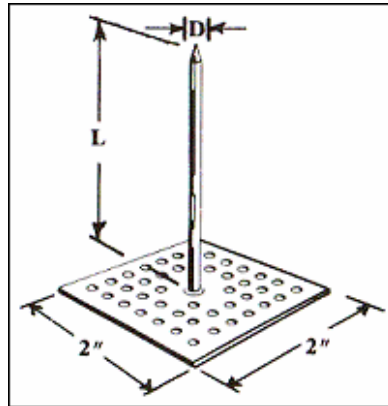




Insulation Hangers



**PERFORATED BASE
(ADHESIVE REQUIRED)**

PERFORATED HANGER SPECIFICATIONS	
"D"	"L"
12 Ga. (.105)	3/4" minimum 16" maximum

- NAIL: Low Carbon Steel, copper coated. (Aluminum and Stainless Steel nails available on special order.)
- ANNEALING: All steel pins are fully annealed unless otherwise specified.
- BASEPLATE: Low Carbon Steel, galvanized.

