

## DESCRIPTION

### BLOWER:

- Plug-in, permanently lubricated motor - engineered for continuous operation
- Dynamically balanced centrifugal blower wheel for quiet, efficient performance
- Low RPM for quiet operation
- Resilient anti-vibration motor mounts

### HOUSING:

- Rugged, 26 gauge, galvanized steel construction
- Polymeric, 4" round duct connector with tapered sleeve and no metallic clatter
- 7-5/8" height allows for 2" x 8" (nominal) joist installations
- Sturdy, easy, four-point mounting directly to joist
- Includes unique spacer (patent pending) for mounting to engineered "I" joists
- Can be mounted in ceilings up to 12/12 pitch

### GRILLE:

- Polymeric construction
- Innovative design - the result of extensive research with designers and consumers

### BUILDER PACKS:

- Model QTRN050F includes blower and grille only (packed 1 per carton)
- Rough-in housing required - order NuTone Model QTXRN000HF (4 housings per carton)
  - Includes hanger bars to position housing anywhere between 16" to 24"-on-center joists (4 sets of hangers per carton)
  - Two sets of mounting holes for hanger bars allow flush installation with bottom or top of drywall

### CONTROLS (Purchase separately):

- Refer to NuTone's catalog for a complete line of accessories to effectively adapt these fans to your construction requirements.

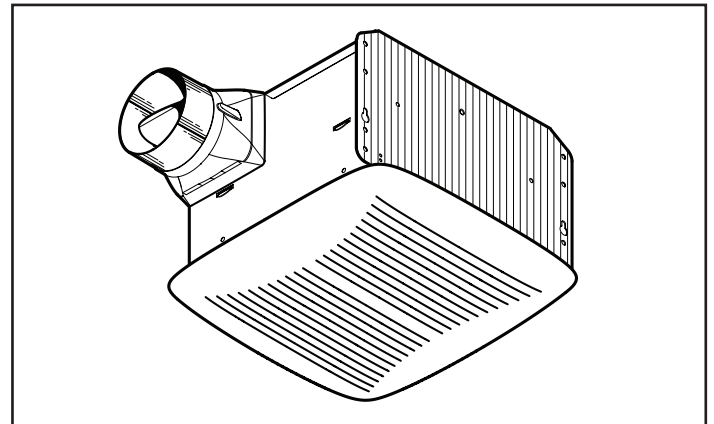
U.L. Listed for use over bathtubs and showers when connected to a GFCI protected branch circuit (ceiling mount only).

3-Year Warranty



# QTRN Series Fans

MODELS QTRN050F, QTRN080, QTRN110



## ARCHITECT'S SPECIFICATION

- Ceiling Ventilator shall be NuTone Model QTRN050F (QTRN080) (QTRN110).
- Ceiling Ventilator shall have corrosion resistant galvanized steel housing with four-point mounting capability. It shall be ducted to a roof or wall cap using 4" round ductwork.
- Blower assembly shall be removable, have a centrifugal-type blower wheel and a permanently lubricated motor designed for continuous operation and mounted with resilient anti-vibration mounts.
- Non-metallic damper/duct connector shall be included.
- Air delivery shall be no less than 50 (80) (110) CFM and sound level no greater than 0.4 (1.0) (1.5) Sones. All air and sound ratings shall be certified by HVI.
- Ceiling Ventilator shall be U.L. Listed for use over bathtubs and showers when connected to a GFCI protected branch circuit.

## INSTALLATION

Complete installation instructions are included with each Fan.

Broan-NuTone LLC Hartford, Wisconsin www.nutone.com 888-336-3948

REFERENCE	QTY.	REMARKS	Project
			Location
			Architect
			Engineer
			Contractor
			Submitted by <span style="float: right;">Date</span>

# PERFORMANCE RATINGS

## QTRN SERIES FANS

### HVI PERFORMANCE

Model	Sones @0.1" Ps	CFM @0.1" Ps
QTRN050F	0.4	50
QTRN080	1.0	80
QTRN110	1.5	110



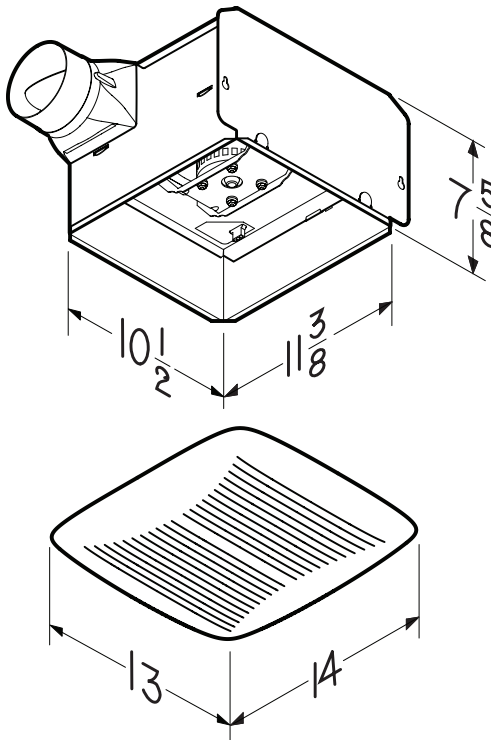
HVI-2100 CERTIFIED RATINGS comply with new testing technologies and procedures prescribed by the Home Ventilating Institute, for off-the-shelf products, as they are available to consumers. Product performance is rated at 0.1 in. static pressure, based on tests conducted in AMCA's state-of-the-art test laboratory. Sones are a measure of humanly-perceived loudness, based on laboratory measurements.

### AMPS

Model	Amps
QTRN050F	0.3
QTRN080	0.7
QTRN110	0.9

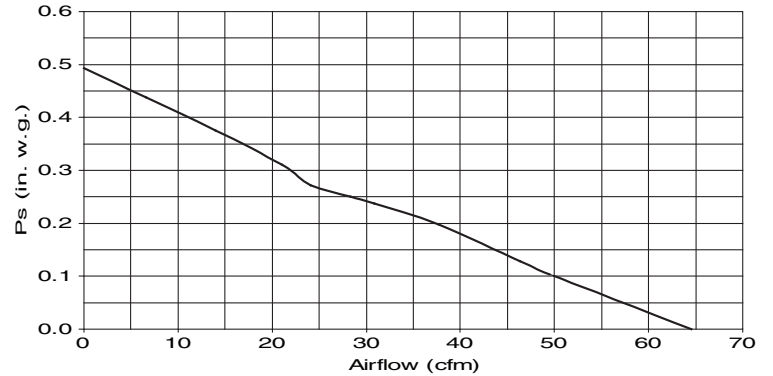
### WEIGHT

Model	Shipping Weight
QTRN050F	5.9 lbs.
QTRN080	10.6 lbs.
QTRN110	10.6 lbs.

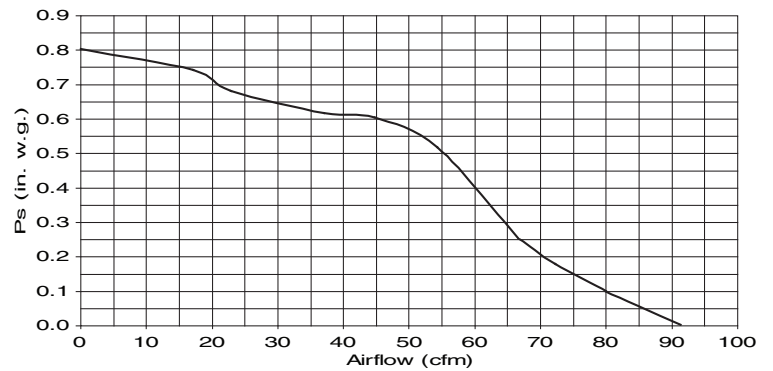


### AIR FLOW PERFORMANCE

#### MODEL QTRN050F



#### MODEL QTRN080



#### MODEL QTRN110

