



**Insulated Flood Vent - Model: 1540-520**



## **High Efficiency Insulated Flood Vent** **Superior Automatic Flood Protection**

### **ICC-ES Evaluated and FEMA Accepted Foundation Flood Vents**

- **Potential savings on homeowner's NFIP premiums**
- **Preserves aesthetic beauty of a home by requiring 2/3 less vents**
- **Each vent certified to protect 200 sq. ft. of your home**
- **Code Compliant, FEMA accepted, ICC-ES Legacy Evaluated**
- **All Stainless Steel construction meets or exceeds flood and corrosion resistance code requirements**
- **Patented automatic floats release bi-directional flood door**

### **One 8" x 16" vent is certified to cover 200 square feet of enclosed area for flood protection.**

The insulated flood vent model is certified to provide insulated flood protection only. This model is used for a garage or conditioned space, where flood protection is required but ventilation is NOT desired. The flood door is constructed of solid stainless steel wrapped around an insulating foam core.



# **SMART VENT**

[www.smartvent.com](http://www.smartvent.com) • 877-441-8368



## Insulated Flood Vent - Model: 1540-520



**Model #:** 1540-520

**Installation Type:** Masonry wall

**Style:** Insulated

**Dimensions:** 8 x 16

**Rough Opening:** 16¼" x 8¼" (one block, or CMU)

**Finish:** Stainless Steel (Standard)

Available Colors For Order:



White Wheat Gray Black Stainless

### Optional Accessories:

Fire Damper, Interior Trim Flange, Inner Sleeve.

**Other Models Available:** SMART VENT® Dual Function Ventilating Flood Vent, Overhead Garage Door Model, Quad Units, Stacked Units, for Wood Studded Wall Applications.

### There's more online at [www.smartvent.com](http://www.smartvent.com)

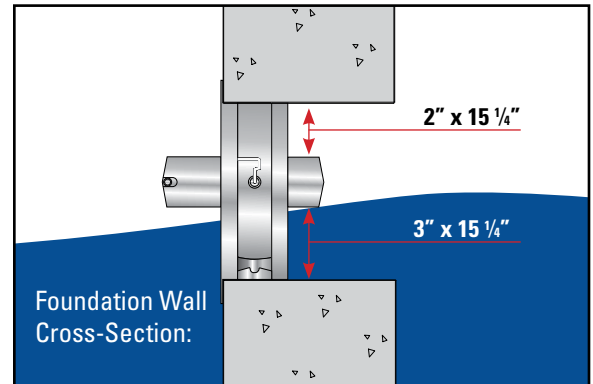
Dealer Locator, Installer locator, Cad Drawings, Installation Instructions, Technical Specifications, Frequently Asked Questions, Video, Testimonials, Resource Library Database.



Rapidly rising floodwater can put extreme pressure on the foundation walls causing improperly vented structures to buckle and collapse. Smart Vents quickly and efficiently equalize the pressure and minimize damage.

### How it works:

Flood Protection: The FLOOD VENT door is latched closed until floodwater enters. Entering floodwater lifts the patented internal floats which unlatches and rotates the door open. This allows the flood water to automatically enter and exit through the frame opening, relieving the pressure from your foundation.



### Use Fewer Vents

Preserve the aesthetic beauty of a home by requiring 23 fewer vents. Each SMART VENT® protects 200 sq/ft of enclosed area vs. 60 sq/ft for non-compliant vents



### How does one of your vents provide so much coverage?

You may have heard that FEMA requires that flood openings provide one square inch of opening per one square foot of enclosed area, referring to dimensions of the opening in proportion to the space to be vented. This is only partially correct. FEMA's regulations and guidelines do state that a non-engineered flood vent solution must (among other requirements) provide one square inch of opening per square foot of enclosed area to be vented. However; all SMART VENT® products are certified engineered openings. They have been designed, engineered, tested, rated, and certified to provide flood relief so efficiently that only one unit is needed for 200 square feet of enclosed area. It would be our pleasure to contact your code official, surveyor, or insurance agent if they require more information.