



FlexClad-400™ Duct and Pipe Sealing System

- Outperforms Metal Jacketing
- Waterproof & Weather-Resistant
- Ideal For Indoor & Outdoor Applications
- Quick & Easy Self-Stick Installation
- Exceeds 25/50 Flame/Smoke Rating
- Resists Vapor Transmission
- Combats Premature Aging
- UV-Stable
- Reduces Energy Costs
- 10-Year Limited Warranty



FlexClad-400

Constructed of an extremely durable, aluminum top surface bonded to multi-layer polyethylene coated with specially formulated rubberized asphalt, patented* FlexClad-400 protects insulation, piping and duct systems like no other product.

Designed for both interior and exterior use, it protects air handling equipment, insulation and pipes from damaging sunlight, moisture and wind-driven rain. Available in a variety of convenient widths and a choice of colors, all-weather

FlexClad-400 firmly adheres to metal, rigid insulation facers, and other clean, dry surfaces...

self-seals around pins, punctures, brackets, and fasteners... and will add years to the service life of every system where it is applied. Installation is fast and easy:

simply measure, cut to size, remove the protective release paper, and apply pressure to the surface with a hand roller. It makes for a professional looking, neat appearance.

All-weather use FlexClad-400 will not deteriorate like fabric or mastic sealing applications, and, unlike metal jacketing, easily conforms to difficult shapes.

Aluminum

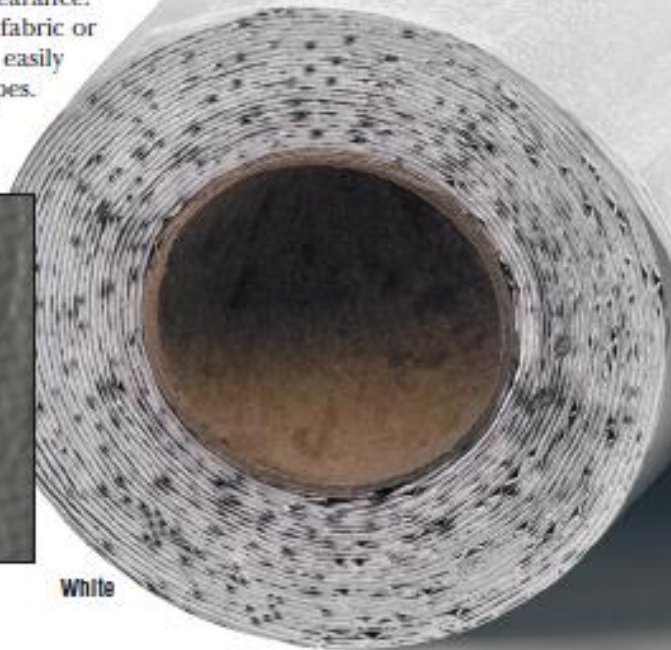
Additional FlexClad-400 Colors:



Tan



Gray



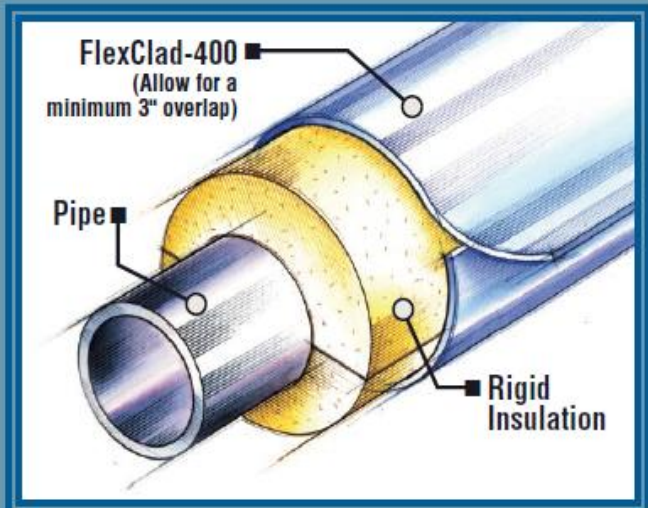
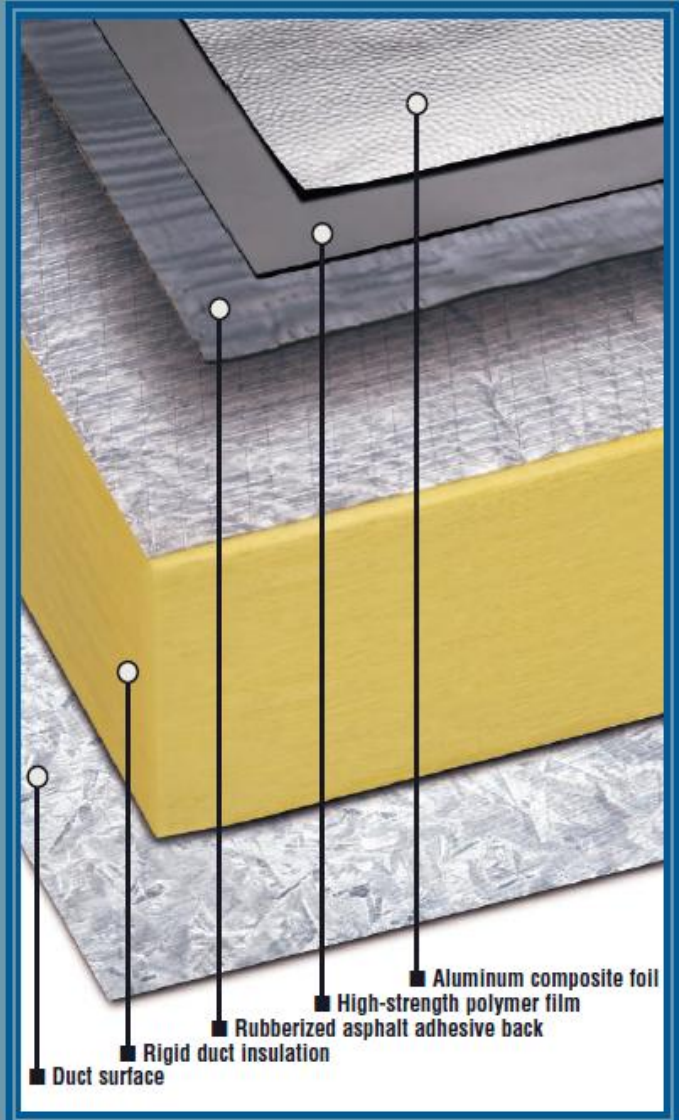
White

* U.S. Patent Nos. 4,936,938; 5,096,750; and 5,142,837 aluminum

Product	Width	Length	Color	Thickness
FlexClad-400 Pre-fabricated, self-adhering, waterproof membrane for protecting pipes and duct systems. Weatherproofs and resists water leaks and vapor transmission, preserves the efficiency of thermal insulation, and reflects sunlight to reduce interior temperatures reducing energy costs. (Use with MFM Spray Adhesive and MFM Prime-A-Seal when necessary)	4", 6", 9", 12", 18", 36"	33.5'	Aluminum, Gray, Tan, White	40 mils minimum

MFM products are protected under U.S. Patent Nos. 4,936,938; 5,096,759; 5,142,837; 6,103,356; 6,479,119; 6,627, 017.

Property	ASTM	Results
Heat Aging	ASTM D 794	No visible blistering or deterioration
Tear Resistance	ASTM D 1424	660 gram (average)
Elongation	ASTM D 412	450% minimum
Low Temp Flex	MFM test	100,000 cycles@ -10° F 1200 cycles@ -20° F No cracking
Maximum Duct Temp. - Continuous Use	MFM test	165° F
Minimum Duct Temp. - Continuous Use	MFM test	-10° F
Water Vapor Transmission	ASTM E-96-95	.009 perms
Flame Spread Index	ASTM E 84-97a	0
Smoke Density Index	ASTM E 84-97a	5
Wind-driven Rain	SFBC #5683	No leakage or failure @ 100 mph
UV Stability	MFM test	Excellent
Recommended Installation Temp.	MFM test	>50° F



mfm BUILDING PRODUCTS CORP.
P.O. Box 340 • Coshocton, Ohio 43812
800-882-7663 • www.flexclad.com

Printed in U.S.A. – 10/06